

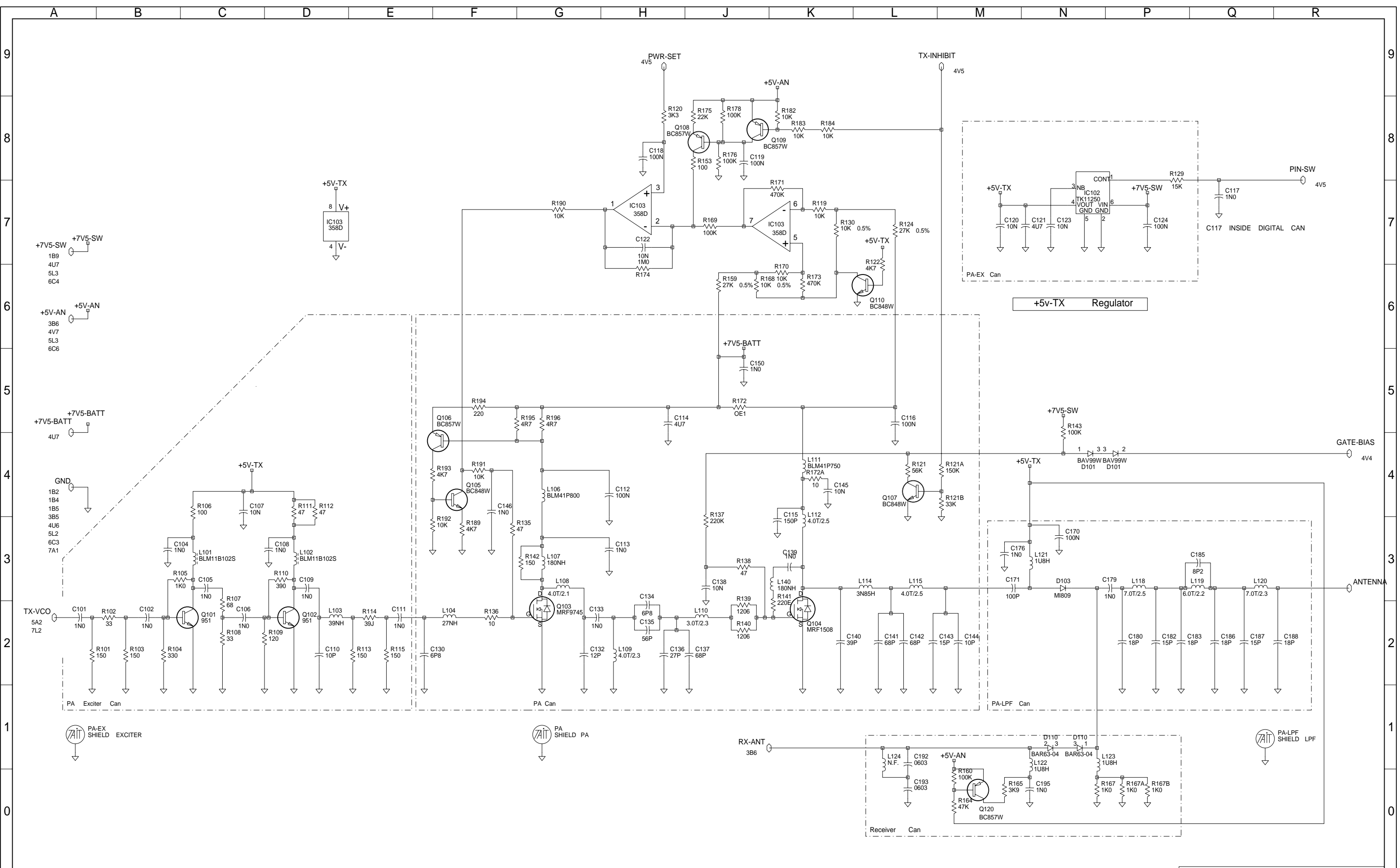
04 D	CHANGED CAN NAMES TO MATCH BAAN	BRD				19-04-99
04 A	MORE PA MODS	DBH		DBH	CI	31/03/98
03 A	UPDATE TO INCL. NEW PA LINEUP	DJW/MJ				29/04/98
REV/ISS	AMENDMENTS	DRAWN	CHKD	D.O.	APVD	DATE

**VHF**  
Tait Orca

© TAIT ELECTRONICS  
ORCA :TP010-3122 136-174MHZ  
SYSTEM DIAGRAM

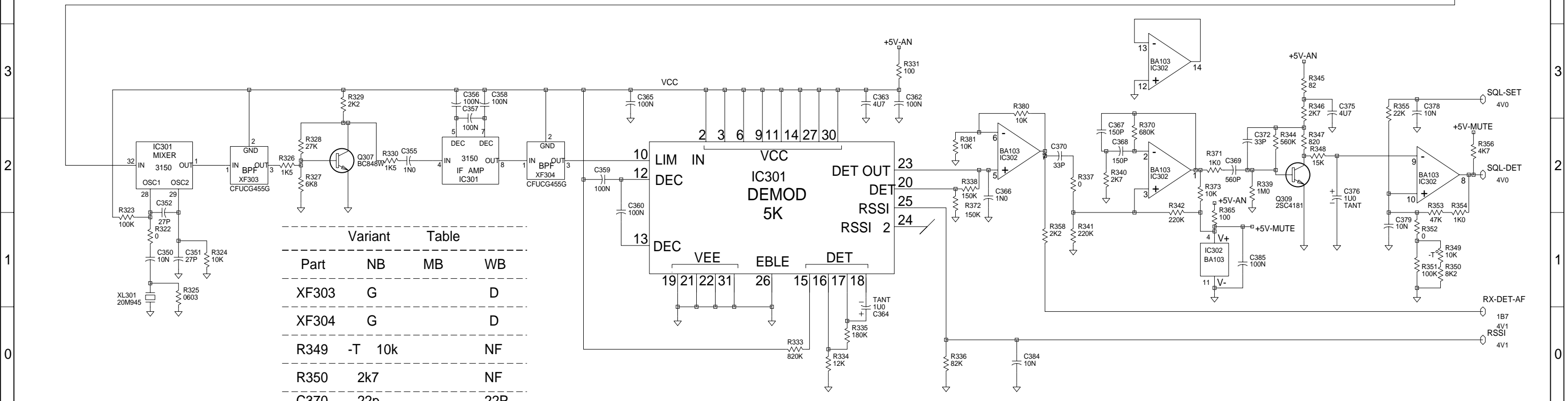
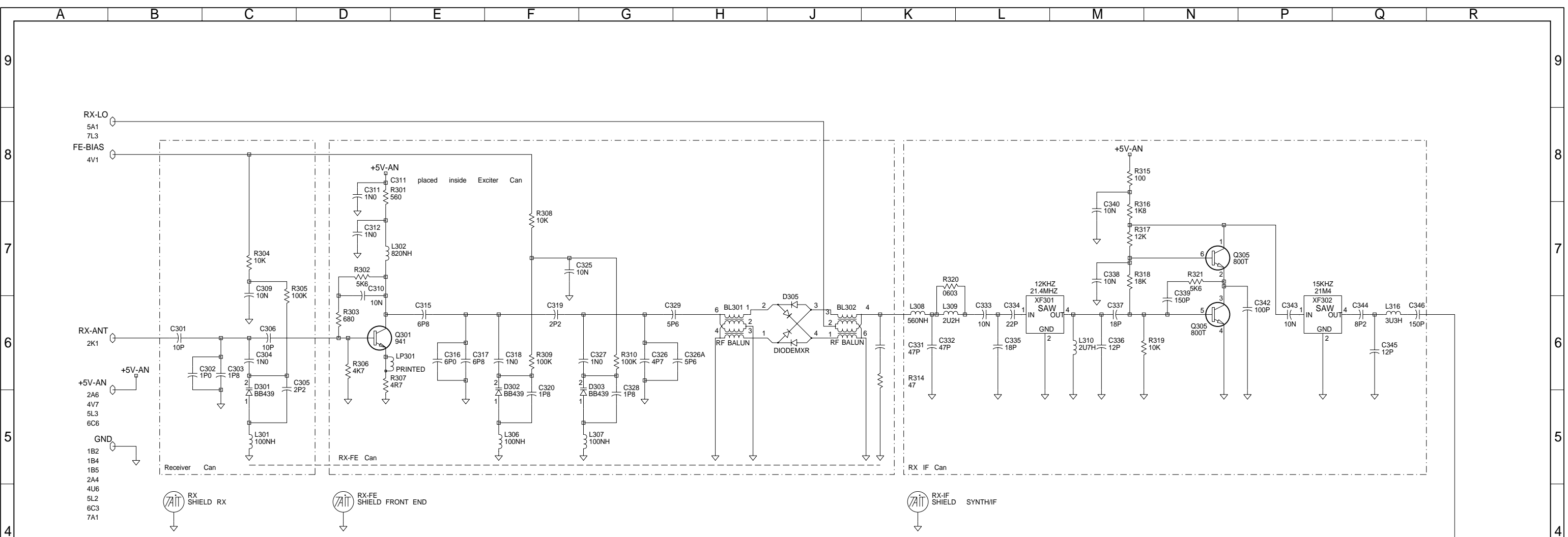
IPN: 220-01401-04  
ISSUE: D  
ID: 2.S.C. 1

PROJECT: TAIT ORCA  
DESIGNER: BRD  
FILE NAME: 140104D  
FILE DATE: 19-04-99  
NO. SHEETS: 7



03A	NEW PA LINEUP (DW,BC-S,LL)	DJW			29/04/98
REV/ISS	AMENDMENTS	DRAWN	CHKD	D.O.	APVD DATE

© TAIT ELECTRONICS  
 ORCA :TP010-3122 136-174MHZ  
 POWER AMPLIFIER  
 IPN: 220-01401-04 ISSUE: D ID: 2.S.C. 2  
 PROJECT: TAIT ORCA DESIGNER: BRD FILE NAME: 140104D FILE DATE: 19-04-99 NO.SHEETS: 7

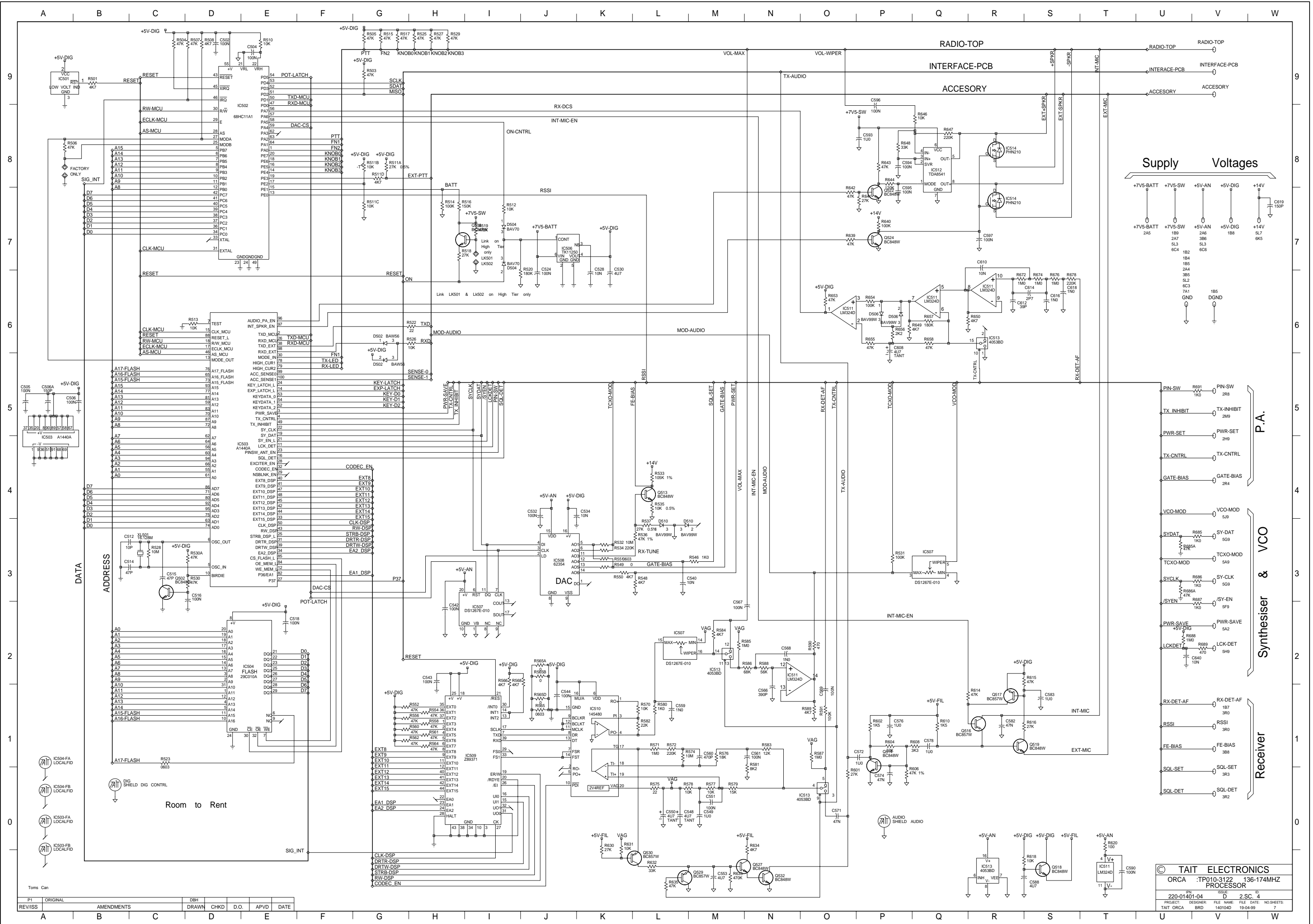


Variant Table

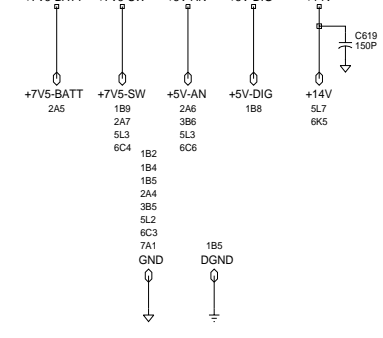
Part	NB	MB	WB
XF303	G		D
XF304	G		D
R349	-T	10k	NF
R350	2k7		NF
C370	22p		22P
C369	330P		330P

04C	500185	ROTATED TANT	C364	180	DEG	BRD			05-03-99	
03 A		COMP.VALUE CHANGES					DJW		28/04/98	
REV/ISS		AMENDMENTS				DRAWN	CHKD	D.O.	APVD	DATE

© TAIT ELECTRONICS  
 ORCA :TP010-3122 136-174MHZ RECEIVER  
 IPN: 220-01401-04 ISSUE: D ID: 2.S.C. 3  
 PROJECT: TAIT ORCA BRD DESIGNER: FILE NAME: 140104D FILE DATE: 19-04-99 NO.SHEETS: 7



**Supply Voltages**



- PIN-SW 288
- TX-INHIBIT 289
- PWR-SET 289
- TX-CNTRL 289
- GATE-BIAS 284
- VCO-MOD 510
- SYDAT 509
- TCXO-MOD 549
- SYCLK 509
- SYEN 509
- PWR-SAVE 5A2
- LCKDET 5H9
- RX-DET-AF 380
- RSSI 380
- FE-BIAS 388
- SOL-SET 383
- SOL-DET 382

**P.A.**

**Synthesiser & VCO**

**Receiver**

Room to Rent

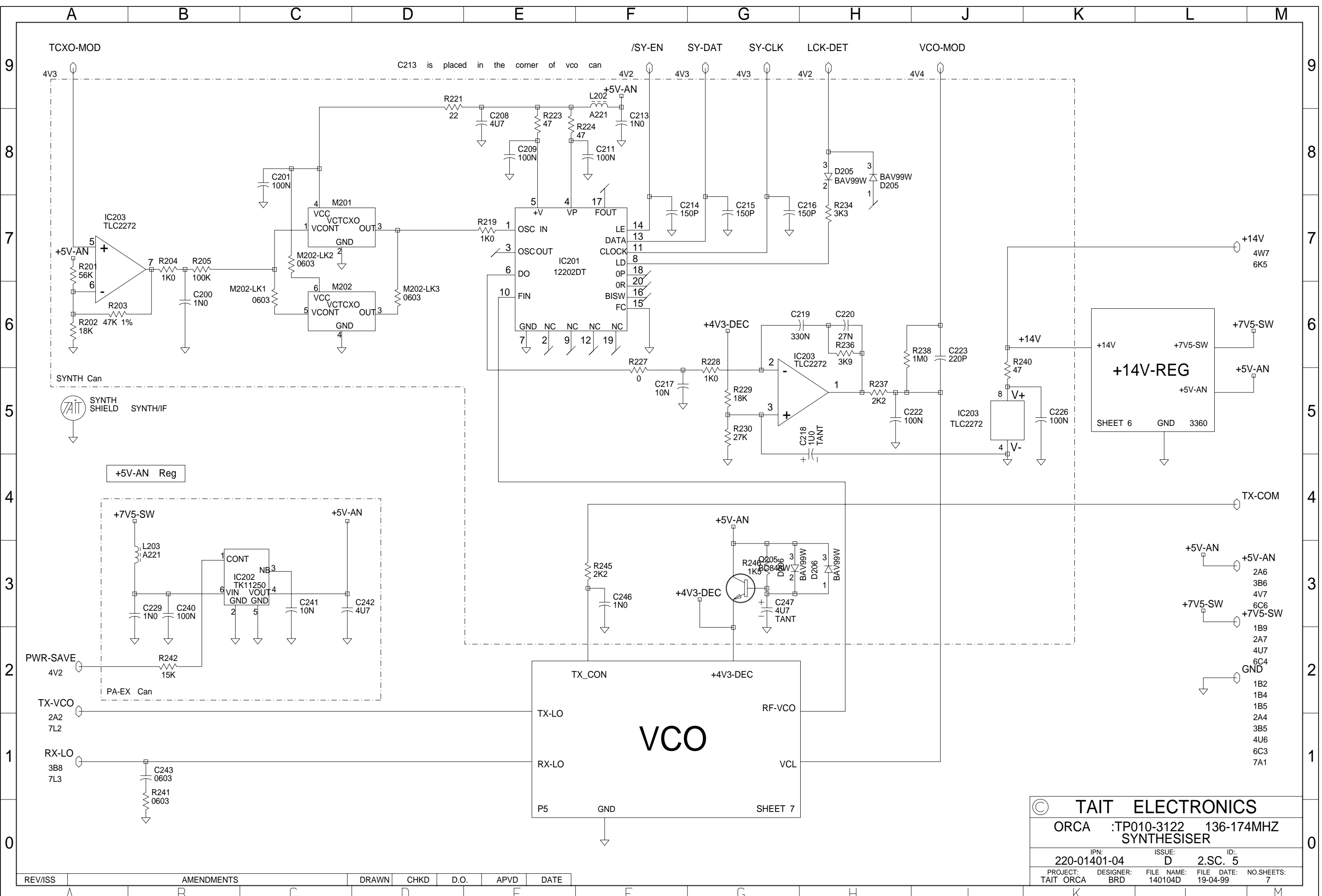
REV/ISS	ORIGINAL	AMENDMENTS	DRAWN	CHKD	D.O.	APVD	DATE
P1							

© TAIT ELECTRONICS

ORCA :TP010-3122 136-174MHZ  
PROCESSOR

220-01401-04 D 2-SC 4

PROJECT DESIGNER FILE NAME FILE DATE NO SHEETS  
TAIT ORCA BRD 140104D 19-04-99 7



C213 is placed in the corner of vco can

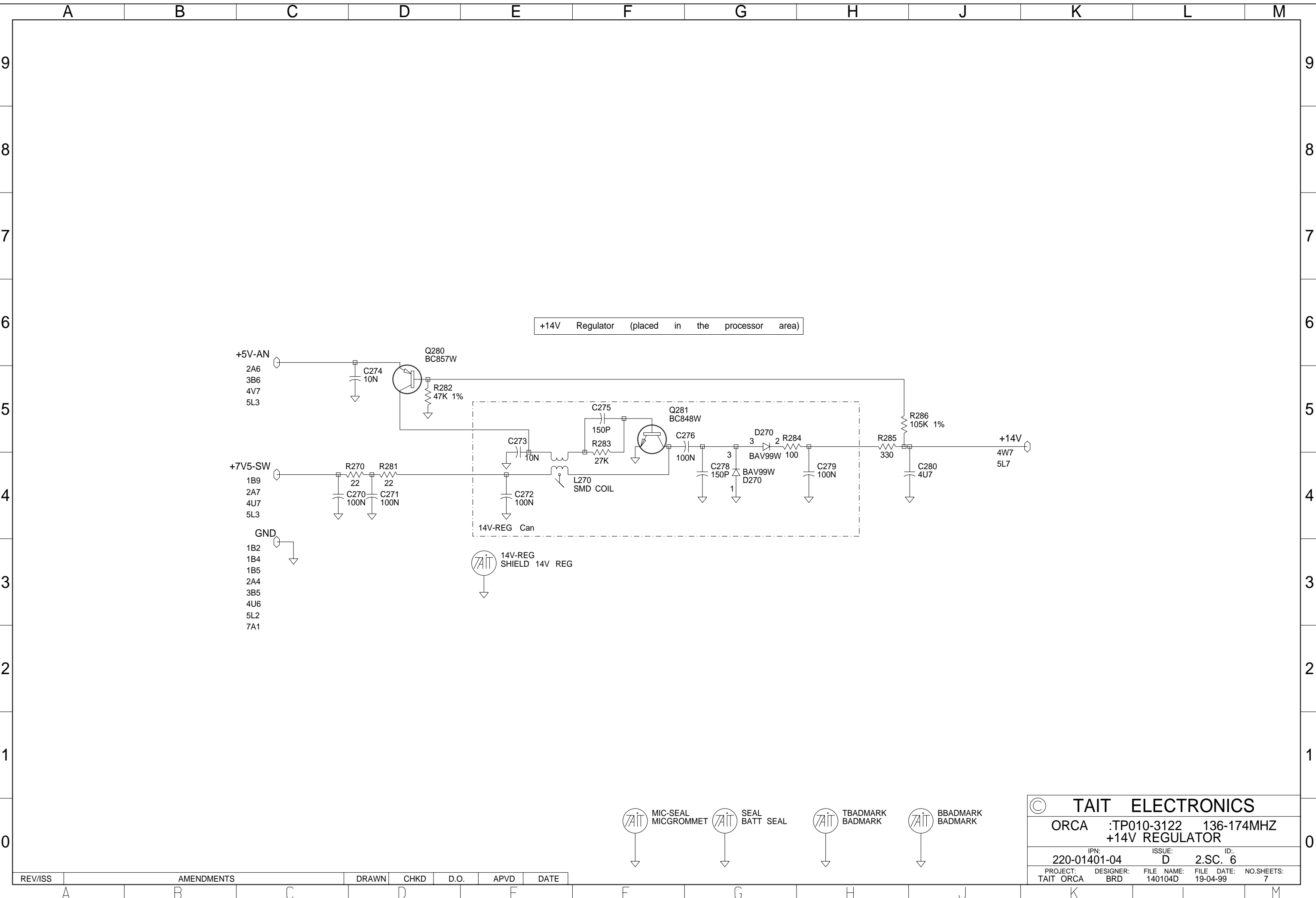
**+14V-REG**  
SHEET 6  
GND 3360

**VCO**  
SHEET 7

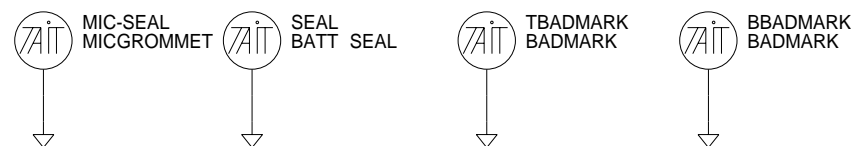
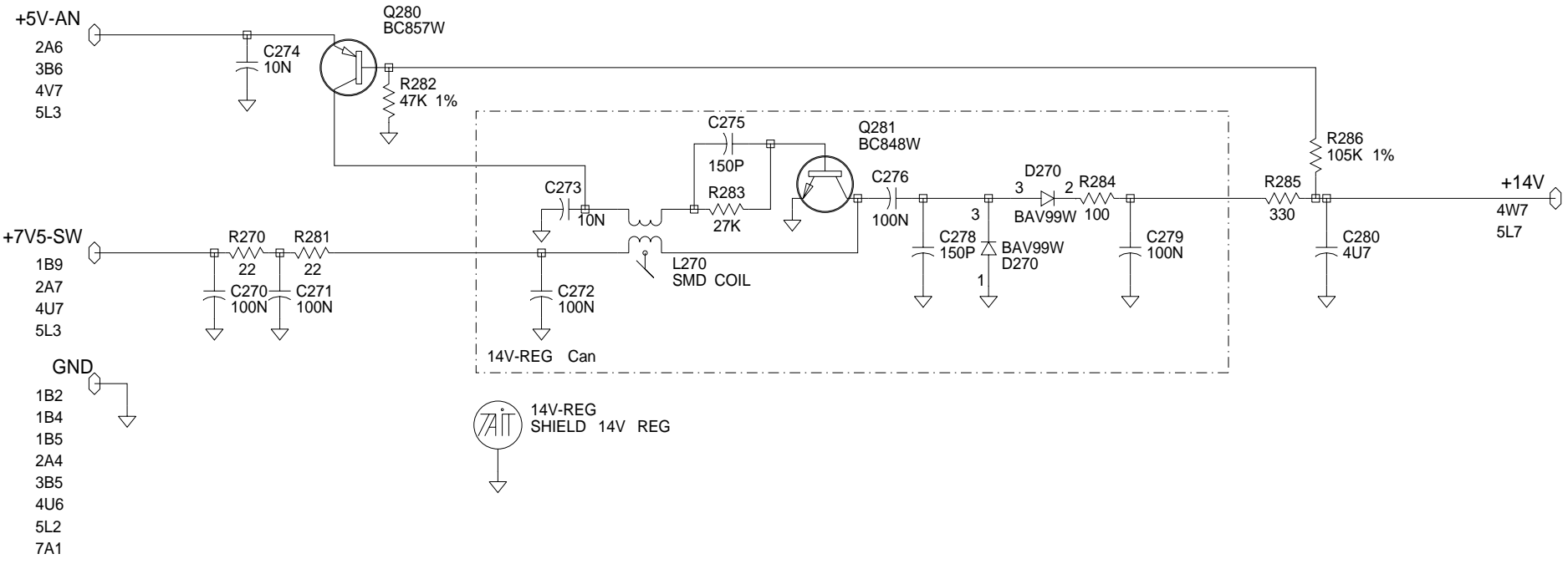
© TAIT ELECTRONICS				
ORCA	:TP010-3122	136-174MHZ	SYNTHESISER	
IPN:	ISSUE:	ID:		
220-01401-04	D	2.SC. 5		
PROJECT:	DESIGNER:	FILE NAME:	FILE DATE:	NO.SHEETS:
TAIT ORCA	BRD	140104D	19-04-99	7

REV/ISS	AMENDMENTS	DRAWN	CHKD	D.O.	APVD	DATE

- +5V-AN 2A6
- +5V-AN 3B6
- 4V7 4V7
- +7V5-SW 6C6
- +7V5-SW 1B9
- 2A7 2A7
- 4U7 4U7
- 6C4 6C4
- GND 1B2
- 1B4 1B4
- 1B5 1B5
- 2A4 2A4
- 3B5 3B5
- 4U6 4U6
- 6C3 6C3
- 7A1 7A1

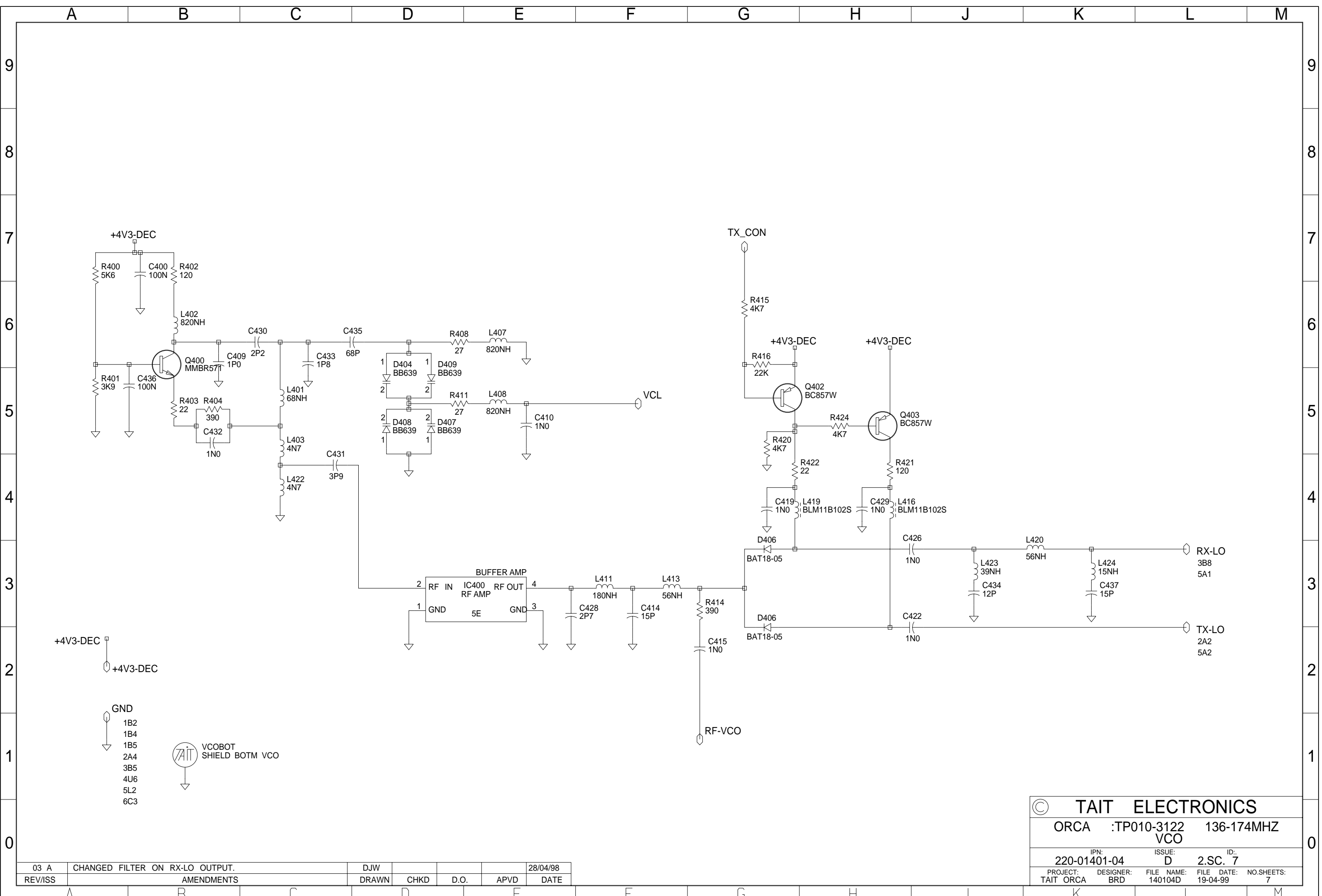


+14V Regulator (placed in the processor area)



© TAIT ELECTRONICS				
ORCA	:TP010-3122	136-174MHZ	+14V REGULATOR	
220-01401-04	IPN:	D	ISSUE:	ID: 2.SC. 6
TAIT ORCA	DESIGNER: BRD	FILE NAME: 140104D	FILE DATE: 19-04-99	NO.SHEETS: 7

REV/ISS	AMENDMENTS	DRAWN	CHKD	D.O.	APVD	DATE
---------	------------	-------	------	------	------	------



© TAIT ELECTRONICS				
ORCA	:TP010-3122	136-174MHZ	VCO	
220-01401-04	ISSUE: D	ID: 2.SC. 7		
PROJECT: TAIT ORCA	DESIGNER: BRD	FILE NAME: 140104D	FILE DATE: 19-04-99	NO.SHEETS: 7

03 A	CHANGED FILTER ON RX-LO OUTPUT.	DJW				28/04/98
REV/ISS	AMENDMENTS	DRAWN	CHKD	D.O.	APVD	DATE